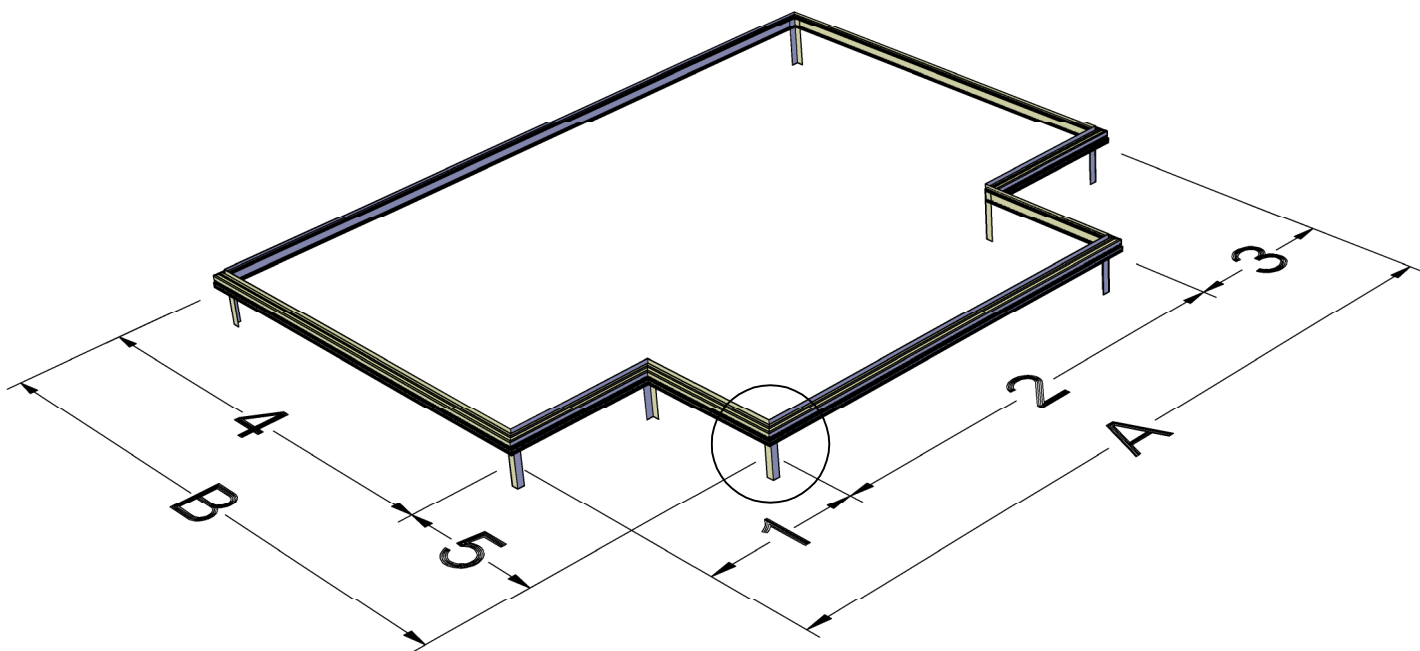


" JUNIOR ORANGERIE "



A = 1+2+3	1	814mm	A = 3964
	2	2336mm	
	3	814mm	
B = 4+5	4	2336mm	B = 3150
	5	814mm	

